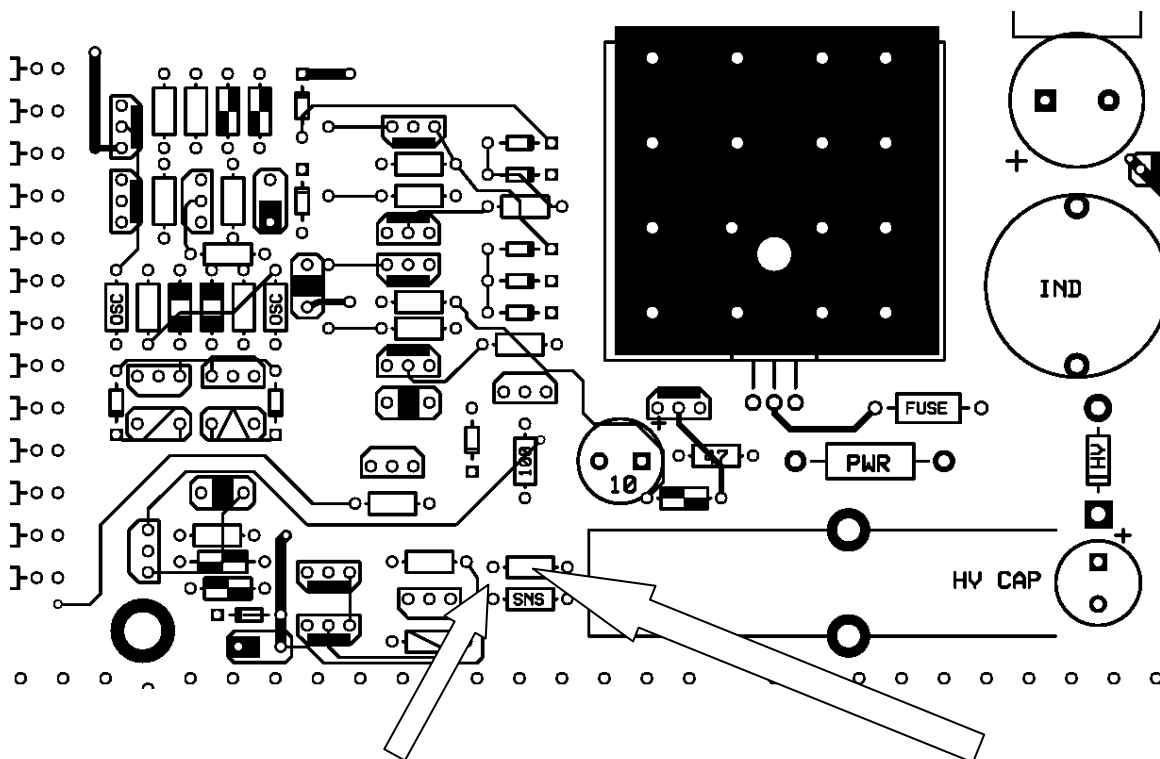
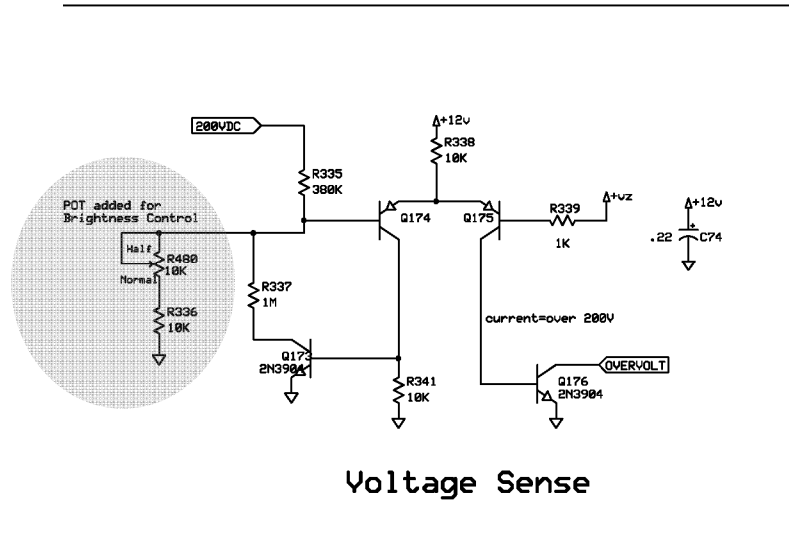


Adding a Potentiometer to the High Voltage supply.

The configuration below will allow for the range of full voltage to $\frac{1}{2}$ voltage adjustment, and in the event of a wiper failure and opening, will only reach $\frac{1}{2}$ voltage. Note that the wiper is connected to one side of the potentiometer.

The new circuit is in the oval. Cut one backside trace between of R336 the SNS resistor and insert the pot.



Location of backside trace to cut and insert 10K pot

Existing R336 10K